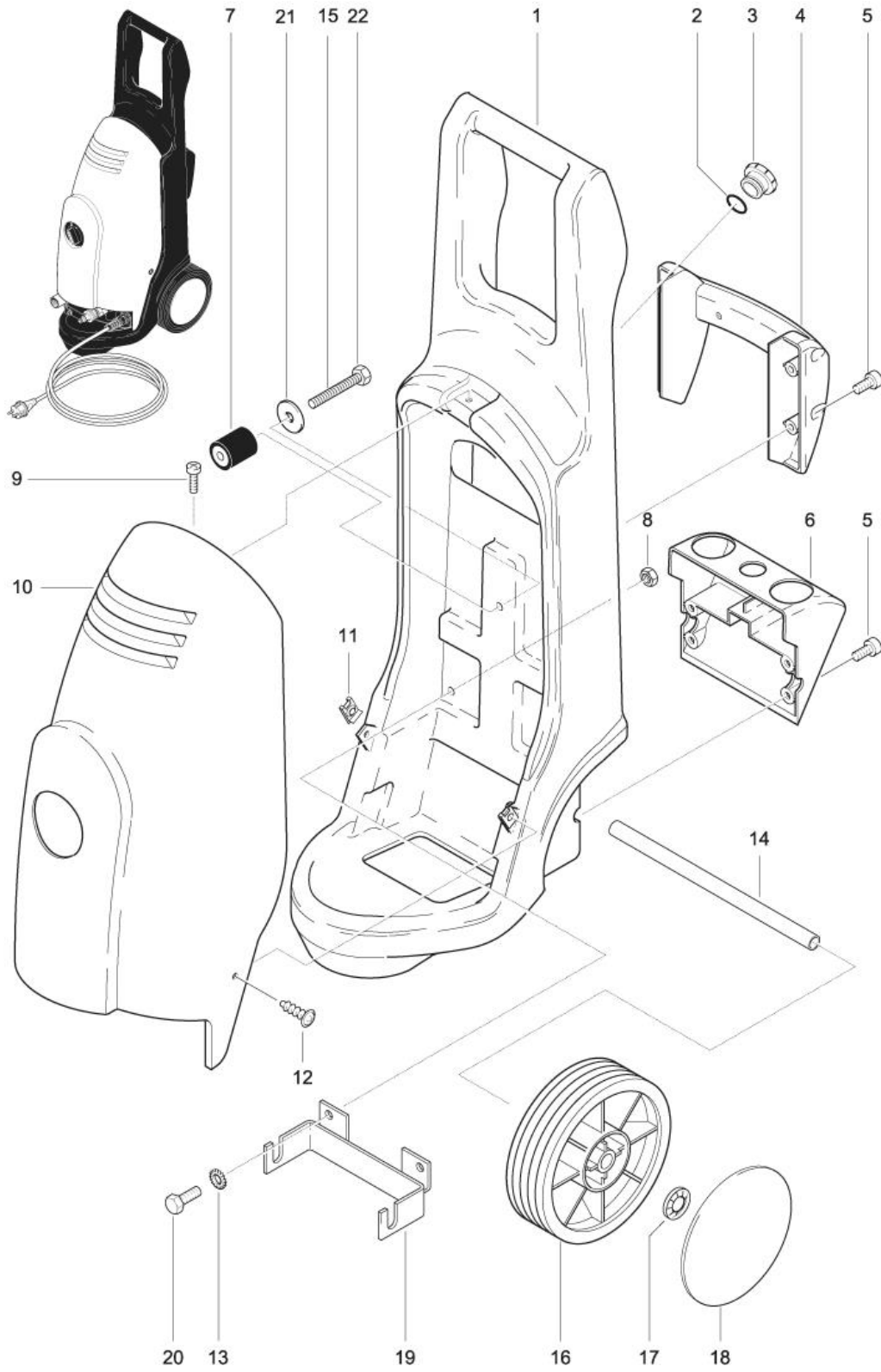


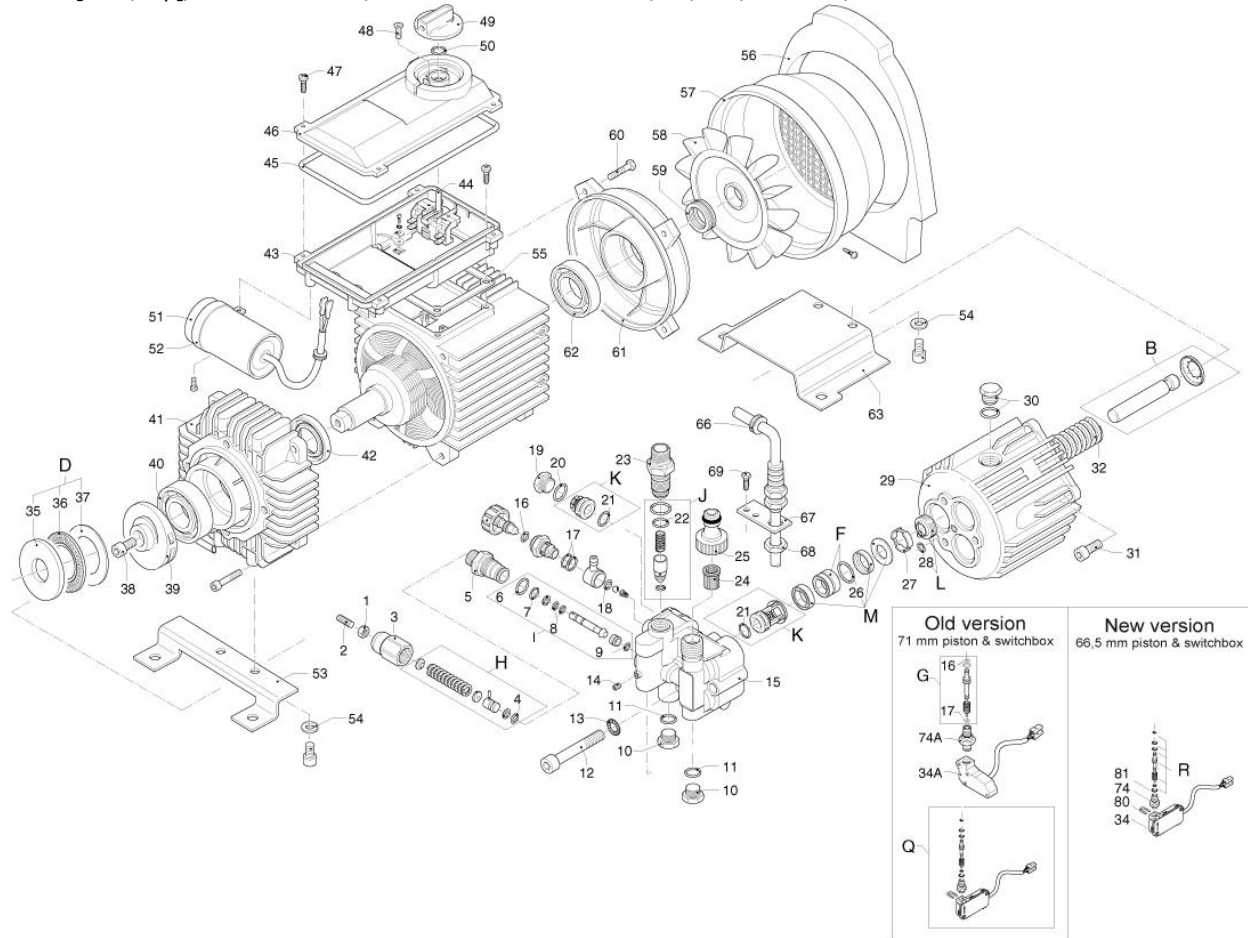
Nilfisk [2016/Sep]/Pressure Washers/Consumer Pressure Washers/Pro/PRO/PRO 9850/Chassis



## Nilfisk [2016/Sep]/Pressure Washers/Consumer Pressure Washers/Pro/PRO/PRO 9850/Chassis

No.	Part No.	Qty.	Description
01	6126990	1	CHASSIS REP.KIT
02	3001690	1	O-RING 19.3X2.4 NITRIL 70SH
03	29941	1	COVER D45X30 CHEMICAL TAN
04	6126991	1	HANDLE WITH SCREWS
05	1814645	1	SCREW
06	64185	1	HOLDER
08	1814652	1	NUT
09	1803311	1	SCREW SENK- M4X 12 Z DI
10	6126982	1	CABINET REP.KIT
11	11944	1	SPRING NUT 5 X0
12	1814646	1	SKREW FOR CASE
14	6127968	1	AXLE SHAFT
15	24809	1	SET SCREW M8X70 DIN 913 A
16	6127952	1	WHEEL
17	11710	1	CLAMPING RING Ø15 10PCS
18	6126984	1	CAP PRO
19	6127970	1	SUPPORT FOR MOTOR
20	2753	1	HEX. SCREW M8X20 ISO 4017 ZN
21	1813567	1	WASHER 25/8.4 A2 DIN9021
22	1814653	1	NUT M8

Nilfisk [2016/Sep]/Pressure Washers/Consumer Pressure Washers/Pro/PRO/PRO 9850/Motor - from 08.08.02



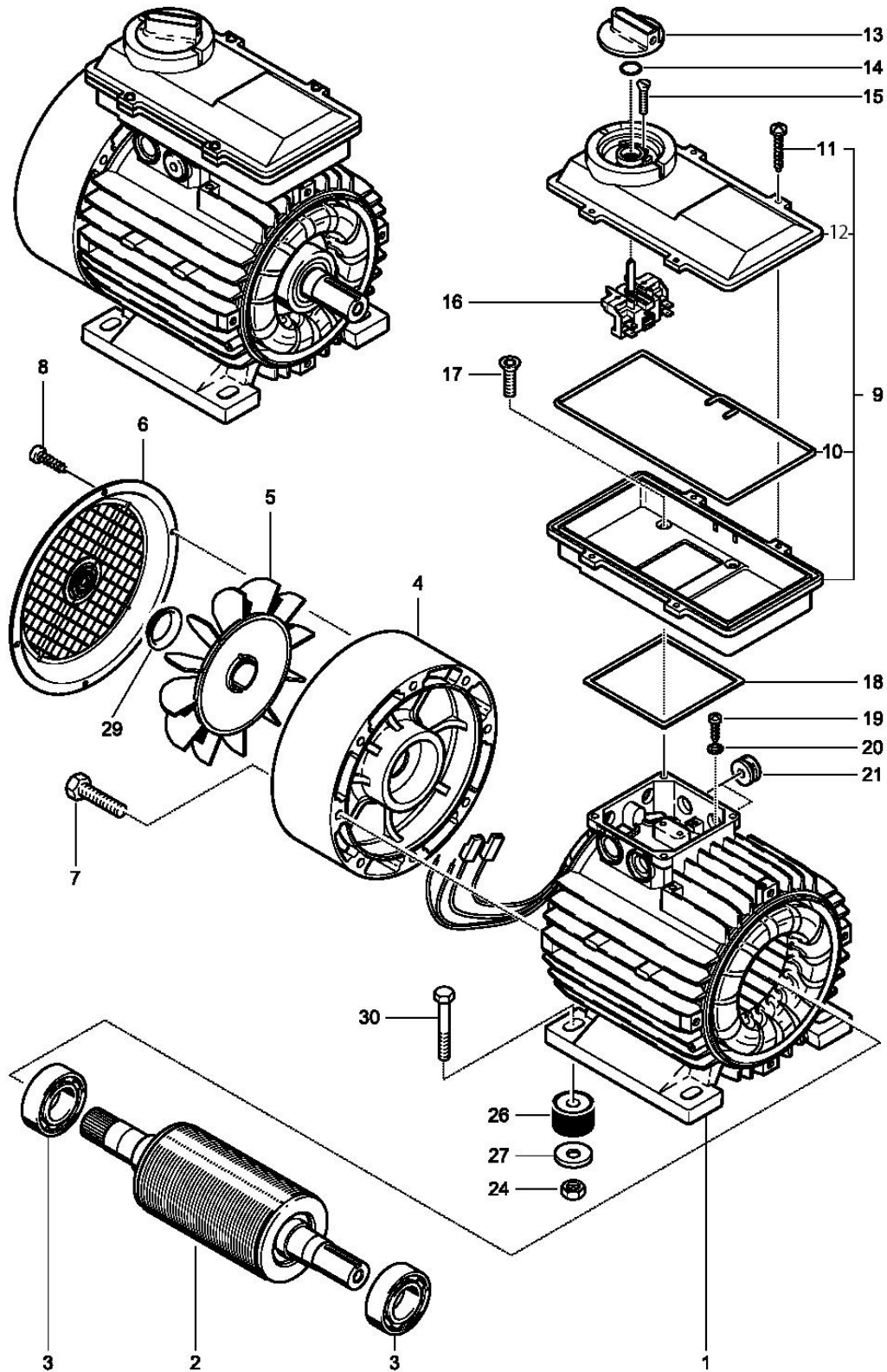
Nilfisk [2016/Sep]/Pressure Washers/Consumer Pressure Washers/Pro/PRO/PRO 9850/Motor - from 08.08.02

No.	Part No.	Qty.	Description
0-	107144146	1	PUMP OIL NA5 1X1 LITER BOTTLE
01	1805399	1	LOCK NUT W. NYLONRING M6 A2
	33158		LOCK NUT M6 A2 DIN 985
02	101814690	1	THREADED PIECE
03	106522464	1	KNOB
04	3004181	1	O-RING 7.66X1.78 NITRIL 90 SH
05	106522491	1	PISTON GUIDE
06	56554	1	O-RING 14.0x1.78 ARP AS 568 A NBR70
07	7424	1	O-RING 8.76x1.8 DIN 3771 NBR70
08	6480272	1	O-RING 2.9x1.78 ARP AS 568 A NBR70
09	3004297	1	O-RING 9.0x1.0 NBR70
0B	106522451	1	REP. KIT PISTONS
0D	106522453	1	REP. KIT BEARINGS
0F	106522455	1	REPAIR SET BACK-UP RING
0G		1	See STI CPW_022
0H	106522457	1	KIT. PRESSURE ADJUSTMENT
0I	106522458	1	REP. KIT VALVE SEAT / BY-P
0J	106522459	1	REP. KIT INJECTOR
0K	106522460	1	REP. KIT VALVES
0L	106522461	1	REP. KIT OIL SEALS
0M	106522462	1	REP. KIT WATER SEALS
0N	106522521	1	REP. KIT DETERGENT INJECTO
0Q	106522456	1	PISTON START STOP AND SWITCHBOX
0R	106522481	1	PISTONKIT 66.5 MM
10	301003044	1	PLUG Ø 10.8
11	9154	1	O-RING 10.82x1.78 ARP AS 568 A NBR70
12	106522492	1	SCREW M10X65
13	1800317	1	WASHER 10.5X22.0X1.25 A ISO7090 ZN
14	301003046	1	SCREW M3X5
15	106522466	1	PUMP HEAD
16	6480272	1	O-RING 2.9x1.78 ARP AS 568 A NBR70
17	6480286	1	O-RING 9.25x1.78 ARP AS 568 A NBR70
18	24658	1	O-RING 4.5 X 1.8 DIN
19	301001496	1	PLUG M22 SW21X22.5 MS
20	103004342	1	O-RING 17.86X2.62 NBR70
21	19620	1	O-RING 15.54x2.62 DIN 3771 NBR70
22	3002029	1	O-RING 12.42X1.78 NITRIL 70 SH

No.	Part No.	Qty.	Description
23	106522493	1	DETERGENT INJECTOR
24	301003072	1	FILTER
25	106522495	1	ATTACHMENT FOR TAP+GASKET
26	24269	1	O-RING 20.5X1.8 NBR70
27	106522463	1	SPACER
28	3004108	1	O-RING 5.28X1.78 NITRIL 90 SH
29	106522468	1	HOUSING
30	106522470	1	PLUG
31	8893	1	SOCKET HEAD CAP SCREW M8X20
32	106522471	1	SPRING
34	106522530	1	MICRO SWITCH F 106522481
34	106522528	1	SWITCHBOX FOR PISTONKIT 66.5 MM
34A		1	See STI CPW_022
38	106522511	1	SCREW M8X16
39	106522483	1	WOBBLE PLATE
40	106522478	1	BEARING
41	106522490	1	ELEC. MOTOR FLANGE
42	106522479	1	SEAL
43	107306064	1	CASE COMPL. SWITCH BOX
44	29931	1	ROTARY SWITCH
45	101406054	1	SPONGE RUBBER Ø 4 1M
46	106126221	1	SWITCH BOX COVER
47	16861	1	SCREW 4X20 WN1412
48	18274	1	COUNTERSUNK SCREW M4X12
49	243611	1	TURNING KNOB
50	9868	1	O-RING 10.2X2.5 NBR 70
51	106522513	1	CAPACITOR 50MICRONF
52	106522501	1	CLAMP
53	106522515	1	BRACKET
54	1800796	1	WASHER M8
55	106522514	1	GASKET
56	106522484	1	FOAM COVER
57	106522485	1	FAN COWLING
58	106522486	1	FAN
59	106522487	1	SEAL
60	10369	1	SCREW M5X25
61	106522488	1	MOTOR SHIELD
62	106522489	1	BEARING

No.	Part No.	Qty.	Description
63	106522516	1	BASE
66	106522494	1	GLAND
67	106522482	1	BRACKET
68	1953	1	NUT 6KT PG 11 46320 PVC
69	1801091	1	CYLINDER SCREW M5X10 ISO 4762 ST 8.8/ZN
71	106522518	1	ATTACHMENT FOR TAP
72	106522519	1	INJECTOR HOUSING
73	106522520	1	HANDLE
74	106522533	1	NUT FOR PISTON 66.5 MM
74A	6522828	1	NUT
75	106522527	1	MOTOR COMPL.230-240V 50HZ
80	301003053	1	CLAMP
81	106522532	1	O-RING FOR 106522533

Nilfisk [2016/Sep]/Pressure Washers/Consumer Pressure Washers/Pro/PRO/PRO 9850/Motor 1 - before 08.08.02



## Nilfisk [2016/Sep]/Pressure Washers/Consumer Pressure Washers/Pro/PRO/PRO 9850/Motor 1 - before 08.08.02

No.	Part No.	Qty.	Description
01	29904	1	STATOR & ROTOR 230V 50HZ
02	29904	1	STATOR & ROTOR 230V 50HZ
03	101118042	1	ROLLER BEARING 6205-2Z
04	29906	1	BEARING COVER
05	29907	1	FAN IMPELLER
06	29908	1	SHROUD
07	2806	1	HEX. SCREW M6X25 ISO 4017 ZN
08	8956	1	TREAD-CUTTING SCREW M3.9X9.5 ISO 1481 ZN
09	29930	1	CONTROL PANEL
10	6526468	1	GASKET CORD
11	16861	1	SCREW 4X20 WN1412
12	106126221	1	SWITCH BOX COVER
13	243611	1	TURNING KNOB
14	9868	1	O-RING 10.2X2.5 NBR 70
15	1803311	1	SCREW SENK- M4X 12 Z DI
16	29931	1	ROTARY SWITCH
17	30346	1	COUNTERSUNK SCREW M5X12 ISO 7046 A2
18	29932	1	GASKET FOR TERMINAL BOX A
19	8822	1	TREAD-CUTTING SCREW 3.5X9.5 C-H ISO 7049
20	4021	1	SERRATED LOCK WASHER A4
21	29948	1	LEAD-THROUGH SLEEVE D20X5.
24	1814652	1	NUT
26	26608	1	BUFFER Ø30X20
27	1814651	1	
29	29909	1	CLAMPING RING
30	1814648	1	

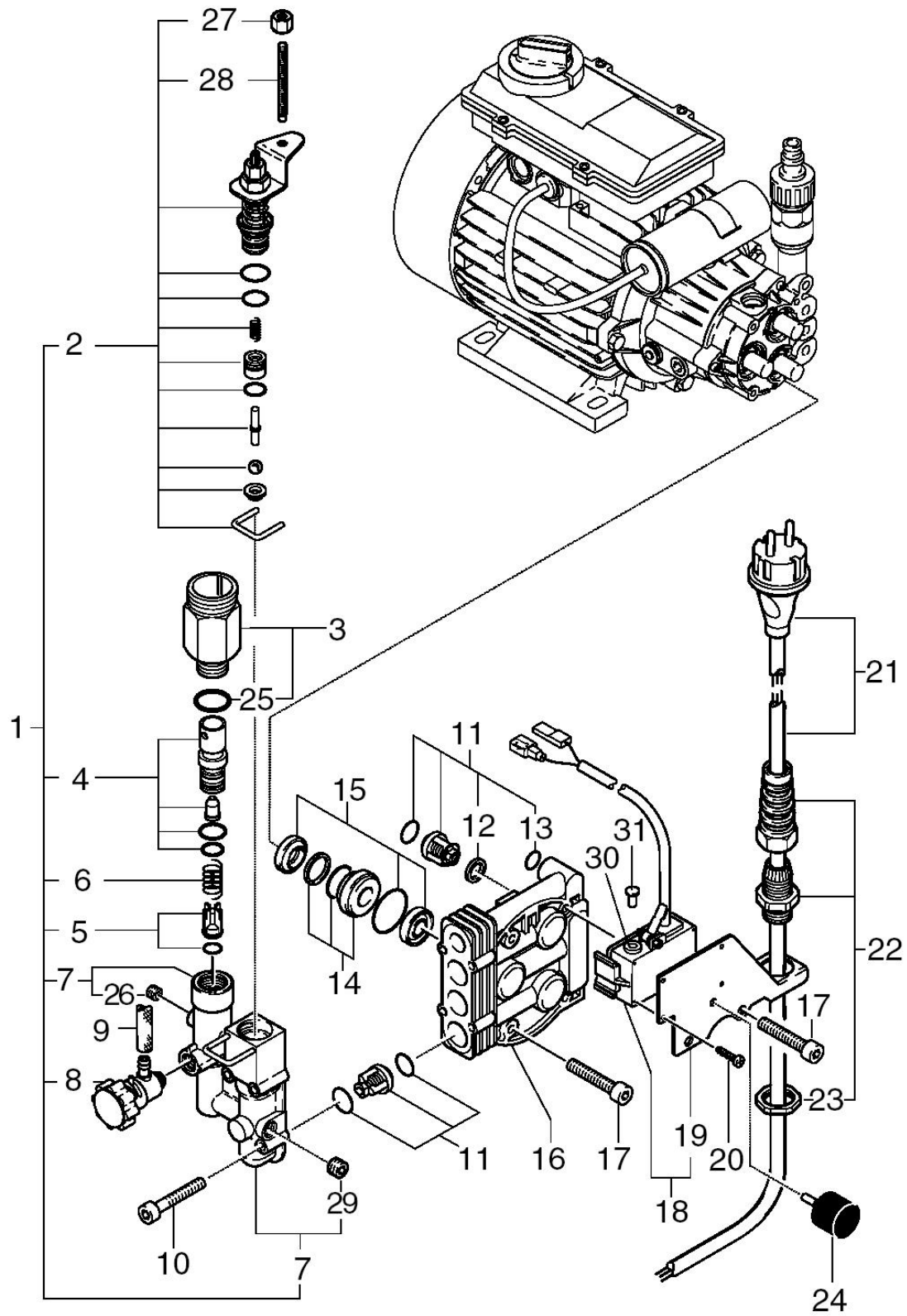




## Nilfisk [2016/Sep]/Pressure Washers/Consumer Pressure Washers/Pro/PRO/PRO 9850/Motor 2 - before 08.08.02

No.	Part No.	Qty.	Description
01	29910	1	PUMP HOUSING
02	29911	1	SHAFT SEAL RING 24X 40
03	29912	1	FITTING KEY
04	29913	1	SWASH PLATE
04	60327	1	SWASH PLATE
04	60574	1	WASH PLATE
04	28488	1	WOBBLE PLATE 7 30 Ø40/Ø2
04	60305	1	SWASH PLATE
05	29914	1	BEARING SET
08	6262	1	LOCKING SCREW R1/4 INCH DIN 906 ZN
09	29915	1	BREATHER VALVE SET FOR PU
10	2806	1	HEX. SCREW M6X25 ISO 4017 ZN
11	29997	1	SECURING CLAMP D50X20X1.5
12	101117865	1	CAPACITOR 50MF KIT
13	60338	1	KIT FOR PUMP FLANGE
14	42776	1	PACKING RING 14X22X5/7
15	48653	1	O-RING 80.6X2.62 ARP AS 568 A NBR70
16	5945	1	SCREW M6X30
17	29919	1	PISTON SET
18	60339	1	ADAPTER G3/4 A-G3/4 WITH
19	54649	1	SUCTION STRAINER Ø18X35.5 PP
20	1402809	1	QUICK COUPLING MALE W. INTERNAL THREAD
21	6522522	1	PLUG

Nilfisk [2016/Sep]/Pressure Washers/Consumer Pressure Washers/Pro/PRO/PRO 9850/Motor 3 - before 08.08.02



## Nilfisk [2016/Sep]/Pressure Washers/Consumer Pressure Washers/Pro/PRO/PRO 9850/Motor 3 - before 08.08.02

No.	Part No.	Qty.	Description
01	6126985	1	CONTROL SAFETY BLOCK
02	25986	1	PISTON
03	6126986	1	OULTET SOCKET WITH O-RING
04	29926	1	INJECTOR
05	54844	1	NON-RETURN VALVE
06	43503	1	SPRING
07	25985	1	HOUSING
08	29929	1	CHEMICALS METERING DEVICE
09	6127966	1	HOSE FOR PUMP
10	3873	1	SCREW M5X30
11	29922	1	VALVE KITS F. AQUA/RE160K VA
12	29924	1	PAD
13	7424	1	O-RING 8.76x1.8 DIN 3771 NBR70
14	29918	1	GUIDE BUSHING SET FOR 3 P
15	29917	1	GASKET SET FOR PISTON AQUA/RE160K
16	29921	1	CYLINDER HEAD 5-HOLE AQUA
17	9752	1	CYLINDER SCREW M6X35 ISO 4762 12.9 BK
18	60289	1	MICROSWITCH START/STOP KIT
19	29928	1	MOUNTING PLATE AQUA 800
20	12189	1	TREAD-CUTTING SCREW M2.2X9.5 CH ISO 7049
21	14503	1	POWER CABLE
21	57329	1	CABLE SJTW 3XAWG14X 5.0
21	57048	1	CABLE H07RN-F 3G1.5X 5.0
21	57065	1	POWER CABLE
21	32024	1	POWER CORD H07RN-F 3G1.5X 6.5
21	11156	1	CABLE H07RN-F 3G1.5X 5.0
22	29964	1	CABLE SCREW
23	1953	1	NUT 6KT PG 11 46320 PVC
24	25987	1	RUBBER BUFFER 20X20 WITH
25	24273	1	O-RING 12.0X2.5 NBR70
26	101814699	1	PLUG
27	1801885	1	M5 ISO 4032 A2-70
28	101814676	1	THREADED PIN
29	1602333	1	PLUG G1/8 DIN906 CuZn
30	106525570	1	RUBBER BUSH
31	106525574	1	PLASTIC PIN